

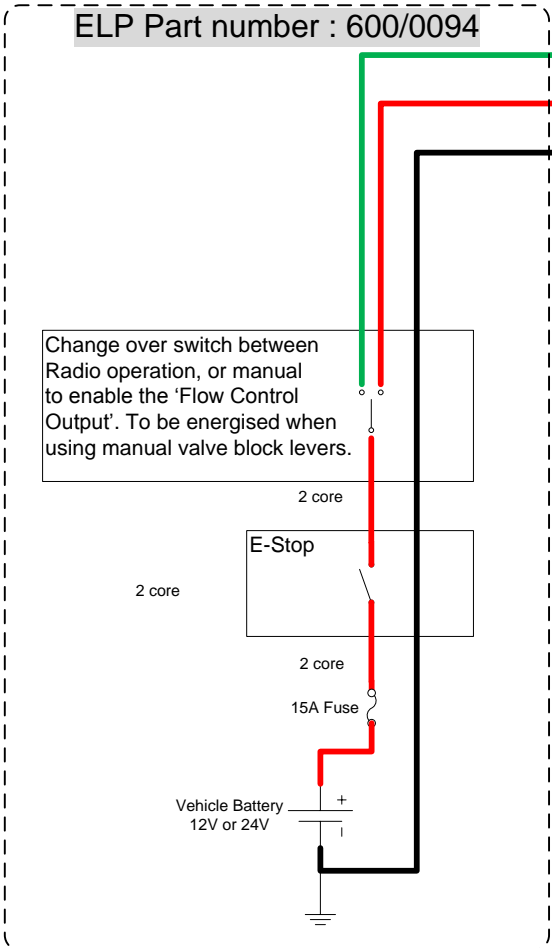
CONNECTORS:

Lodar case connector; Deutsch HDP24 24-31-PE
Receptacle with pins (male)

Harness connector: Deutsch HDP26 24-31-SE
Plug with sockets (Female)

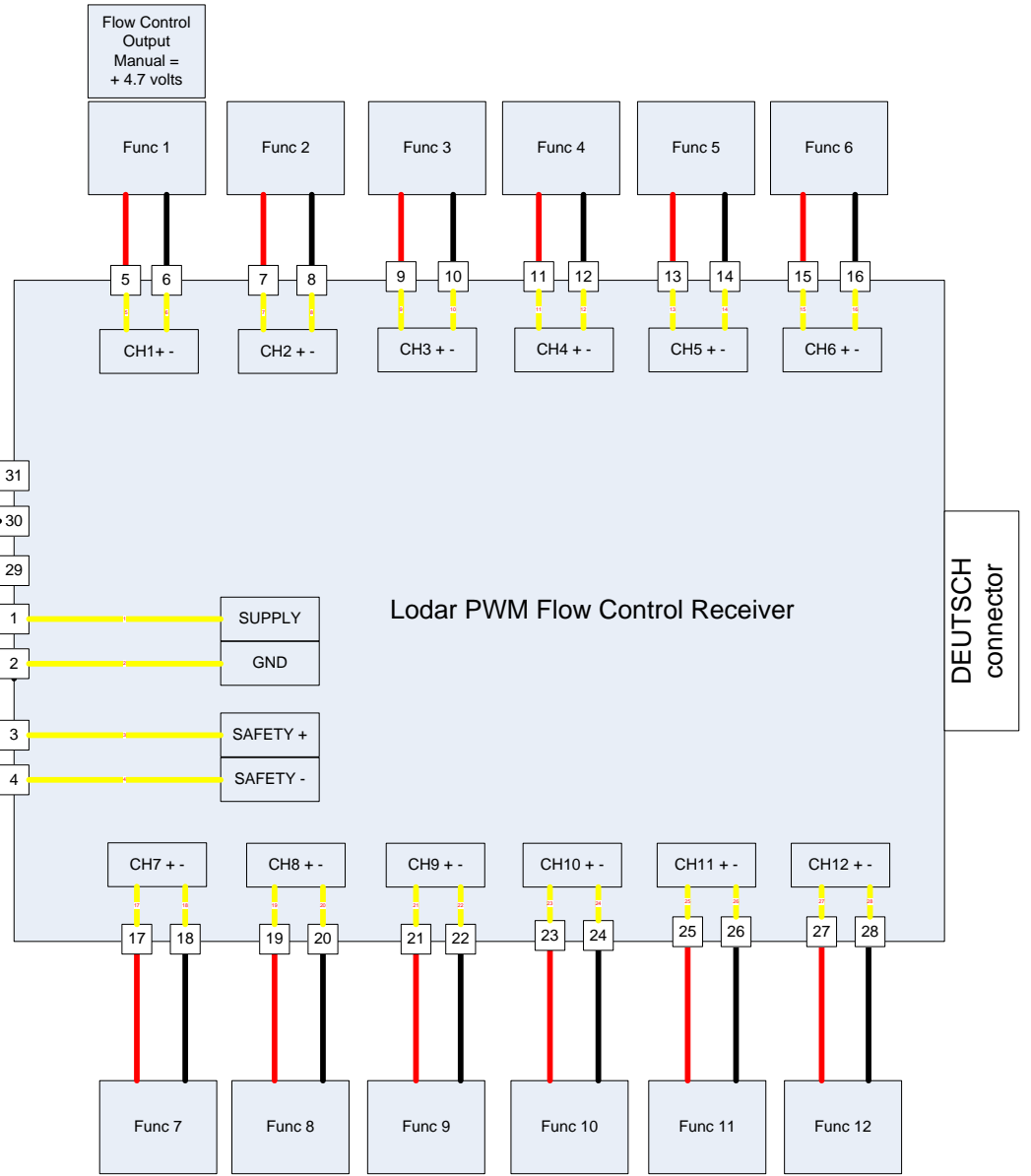
ELP 1.5 metre, 31 wire harness (to every pin):
Part number: 600/0095

ELP Changeover harness (with Deutsch connector):
Part Number: 600/0094



PARALLEL MASTER OUTPUT
Energised in parallel with a button press, designed for use with a safety valve block dump valve, electro-hydraulic pump etc.

SAFETY INDICATOR
Energised when Lodar is on, off when red button is pressed, designed for use with a Albright Battery isolator relay or a warning beacon etc



CABLE

Internal Lodar case cable: Yellow, thin wall 1.0mm csa with printed numbers.
Cable numbers correspond with connector pin numbers; 1 to 31.

Lodar Build Specification: 1840.

 www.elpengineering.co.uk	ELP Engineering Ltd			
	Lodar PWM Soft Start Flow Control Wiring Diagram			
25/03/2019	SIZE	Drawing Type	ELP Part NO(s)	REV
Edward Hill		Schematic	900/0005	3
	SCALE		SHEET	1 OF 2