

CONNECTORS:

Lodar case connector; Deutsch HDP24 24-31-PE
Receptacle with pins (male)

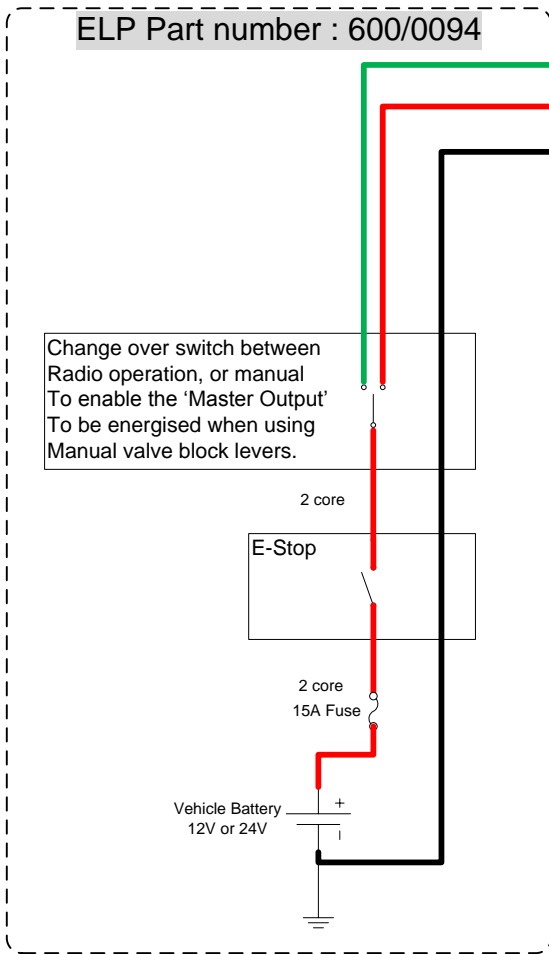
Harness connector: Deutsch HDP26 24-31-SE
Plug with sockets (Female)

ELP 1.5 metre, 31 wire harness (to every pin):

Part number: 600/0095

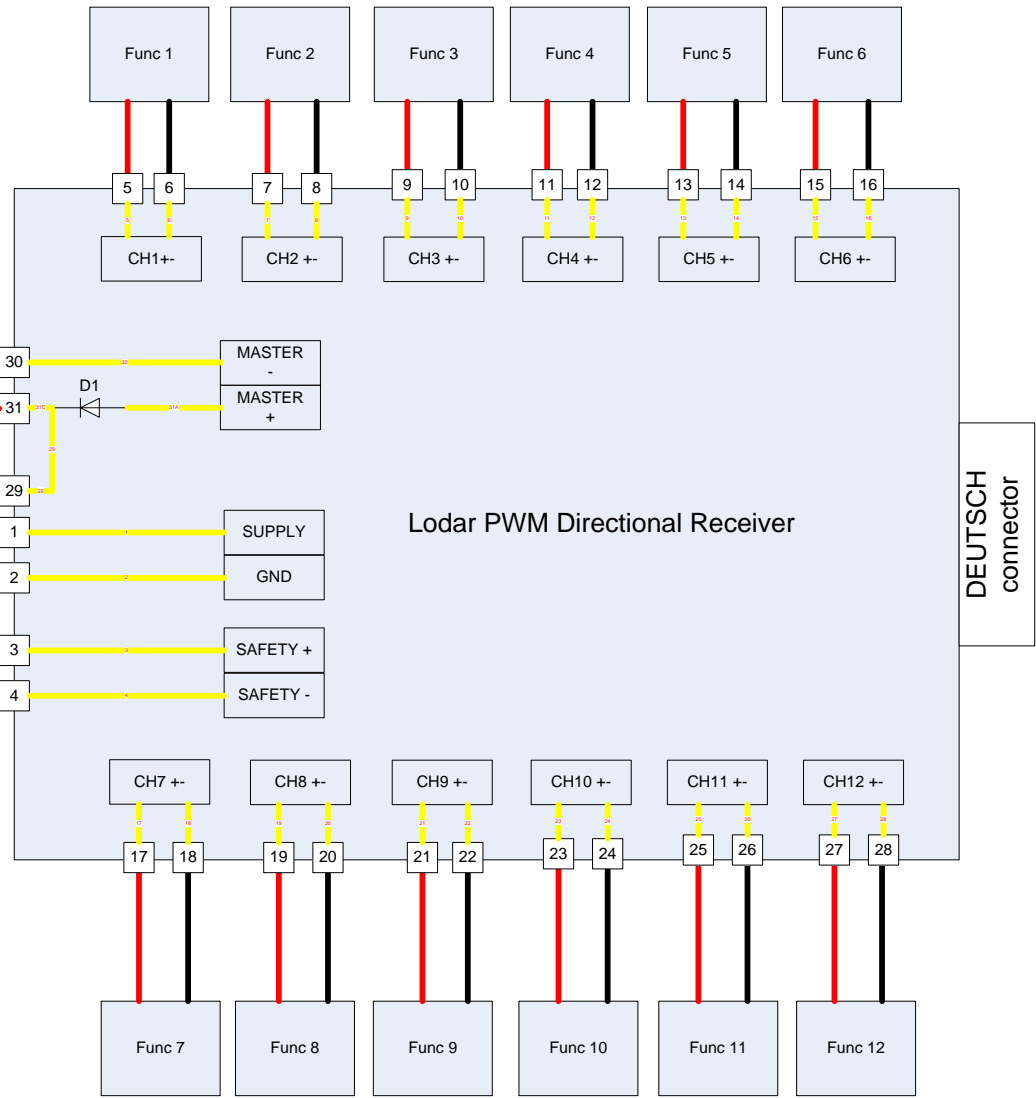
ELP Changeover harness (with Deutsch connector):

Part Number: 600/0094



PARALLEL MASTER OUTPUT
Energised in parallel with a button press, designed for use with a safety valve block dump valve, electro-hydraulic pump etc.

SAFETY INDICATOR
Energised when Lodar is on, off when red button is pressed, designed for use with a Albright Battery isolator relay or a warning beacon etc



 www.elpengineering.co.uk	ELP Engineering Ltd			
	Lodar PWM directional receiver harness schematic			
25/03/2019	SIZE	Drawing Type	ELP Part NO(s)	REV
Edward Hill		Schematic	900/0001	8
	SCALE		SHEET	1 OF 1